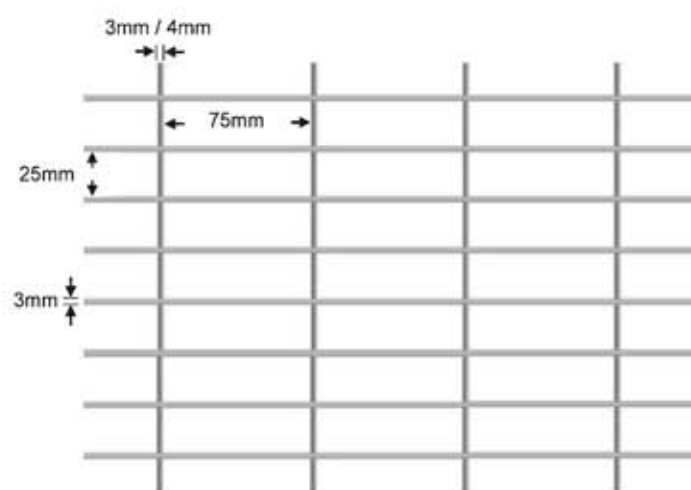
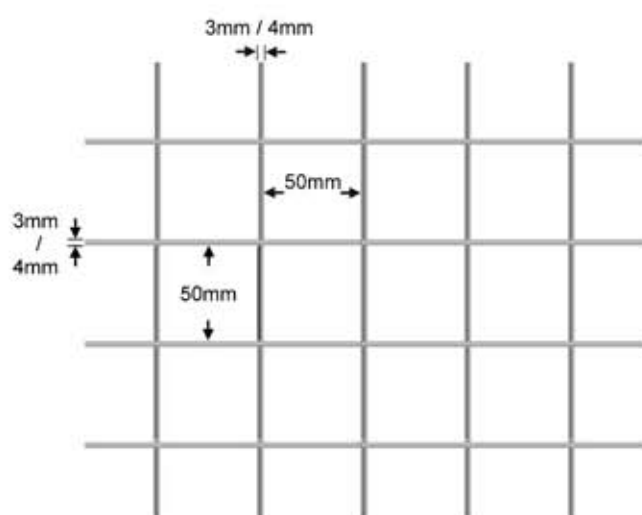


鋼網 Steel Wire Meshes

方格焊網 Welded Meshes

和利編號 Wa Lee Reference No.	鋼線尺寸 Nominal wire size (mm)		行距 Spacing		切面面積 Section area (mm ² /M)	單位重量 Unit Weight (kg / sheet)		
	Main	Cross	縱向 Main (mm)	橫向 Cross (mm)		2100 x 4800 —	2134 x 3658 7' x 12'	1219 x 2438 4' x 8'
焊網 Bare steel Mesh								
WE5	5	5	150	150	118	20.68	—	—
WA98	5	5	200	200	98	15.52	—	—
WA142	6	6	200	200	142	22.38	—	—
鍍鋅焊網 Galvanized steel Mesh								
GWM2	3	3	50	50	141	—	17.26	6.580
	4	4	50	50	251	—	30.68	11.70
GWM3	3	3	25	75	283	—	21.05	8.020
	3	4	25	75	283	—	25.63	10.66



鍍鋅菱形織網 Galvanized Mesh for Chain Link Fence

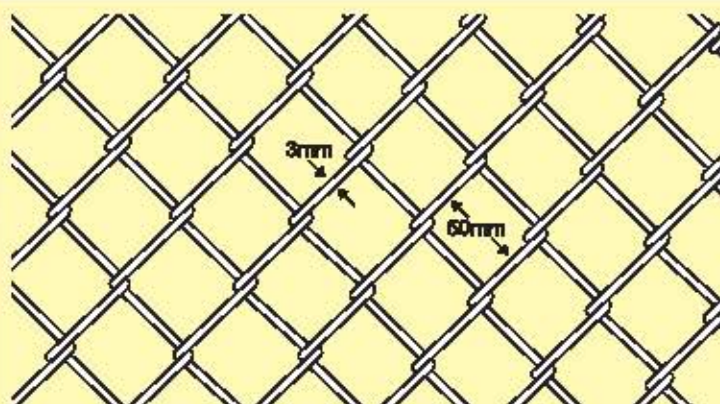
織網尺寸 Mesh Size

5呎(ft.) x 50呎(ft.) / 卷(Roll)

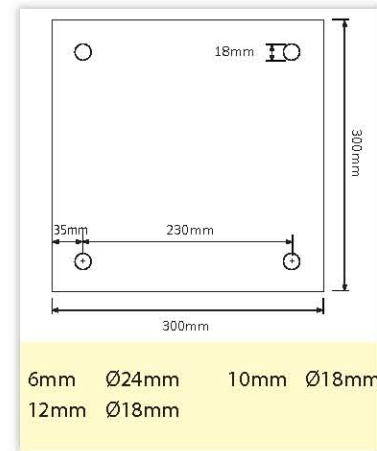
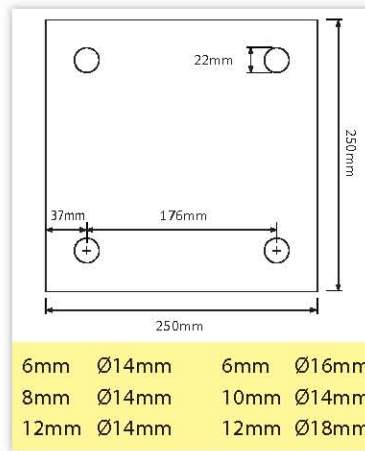
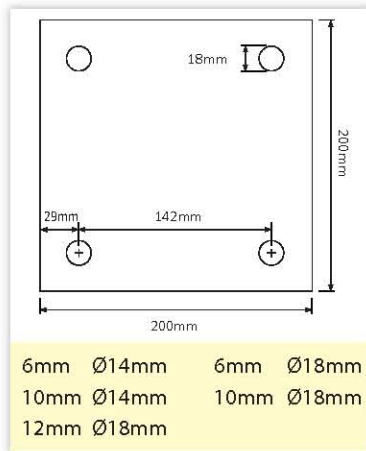
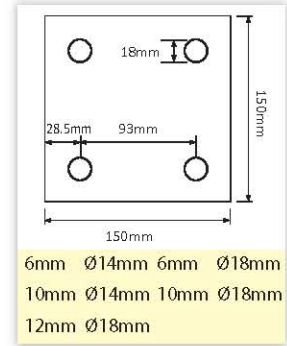
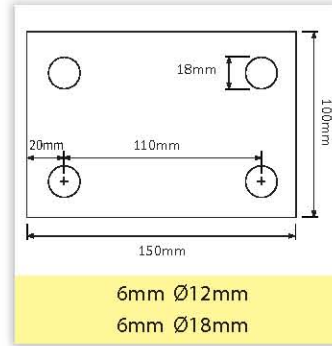
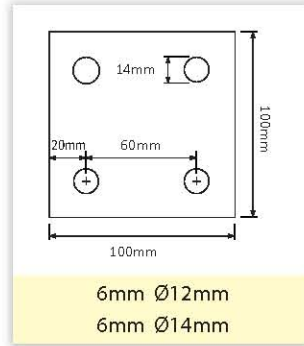
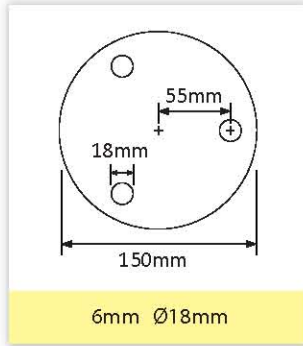
1.5米(M) x 15米(M) / 卷(Roll)

6呎(ft.) x 50呎(ft.) / 卷(Roll)

1.8米(M) x 15米(M) / 卷(Roll)



掌底鋼板 Steel Pad Plates



備有等離子及其它板材切割機械，數控鑽床等設備，承造各式形狀、尺寸墊板，歡迎查詢。
Our Plasma Cutter, CNC Drill is ready to provide cutting to size and shape for your special order.

